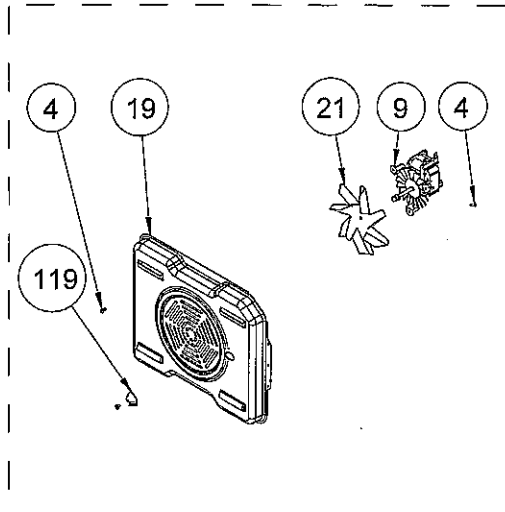
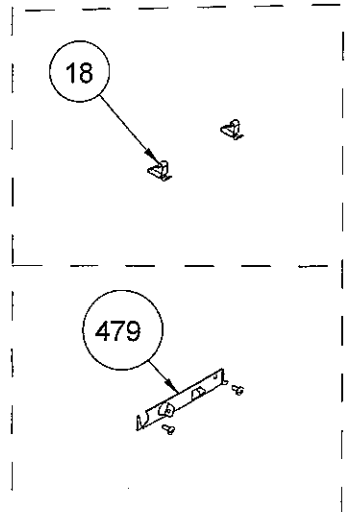


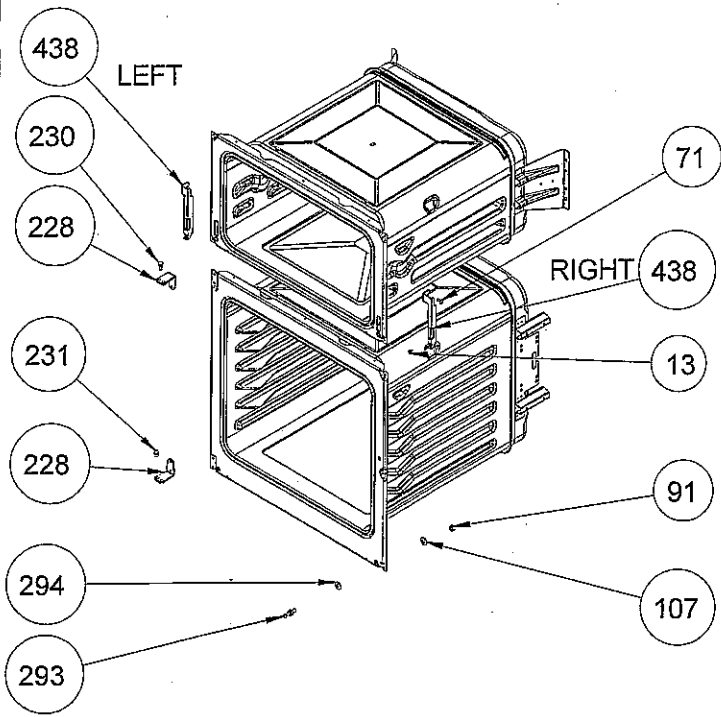
RING HEATING ELEMENT WITH FAN (OPTIONAL)



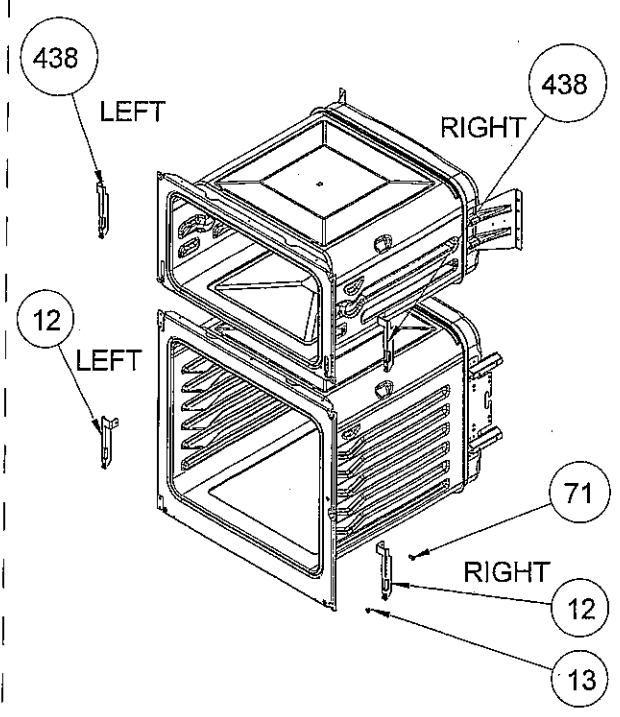
(FAN COVER/ FAN IMPELLER (6 WINGS) /FAN MOTOR) - (OPTIONAL)



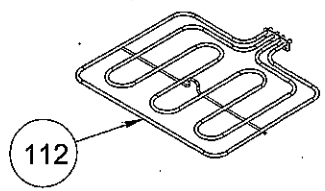
THERMIST BULB HOLDER/BACKET



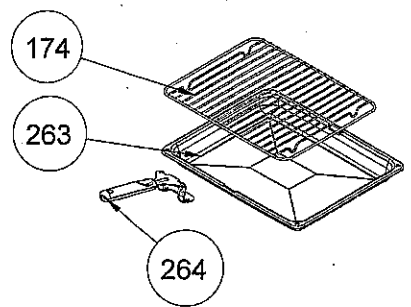
CAVITY ASSEMBLY FOR SIDE
OPENING OVEN DOOR



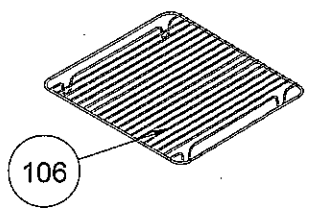
CAVITY ASSEMBLY FOR DROP DOWN
OPENING OVEN DOOR



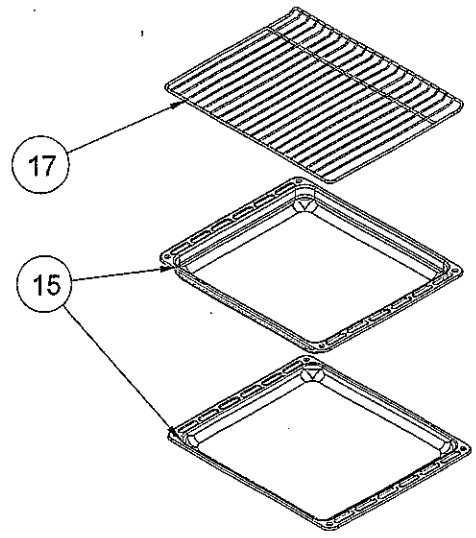
TOP AND GRILL HEATING ELEMENT
(OPTIONAL)



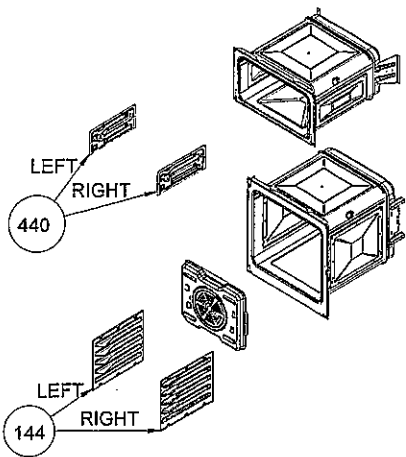
GRILL PAN AND HANDLE SET
(TRAY SET FOR GRILL) -
(POSITION NO 265) - (OPTIONAL)



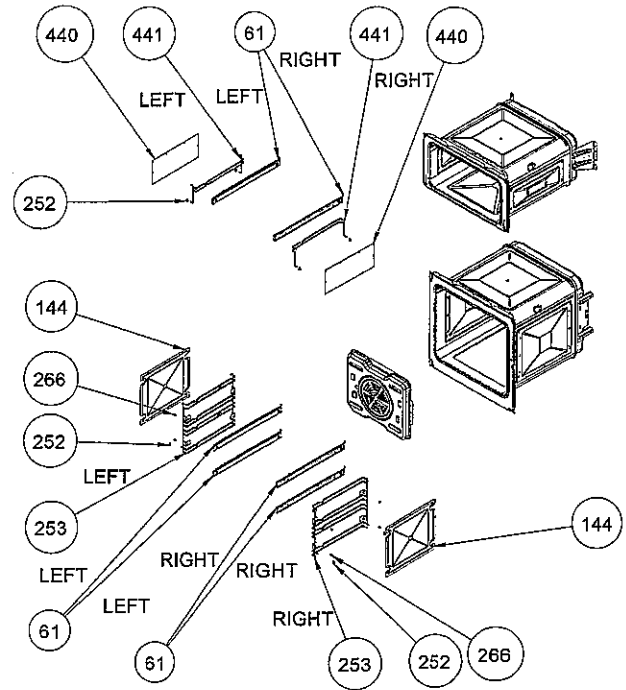
DEEP TRAY GRID
(OPTIONAL FOR DB.OVEN ELC)



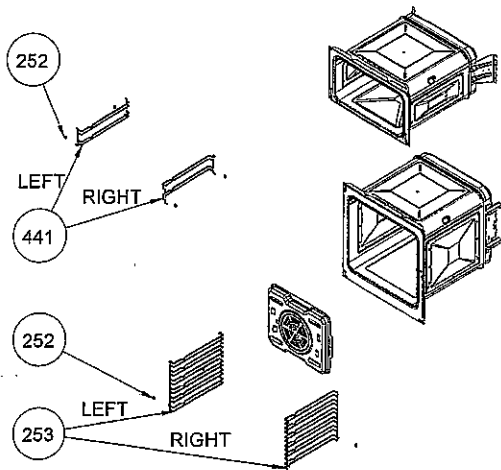
TRAYS & GRID
(OPTIONAL FOR DB.OVEN ELC)



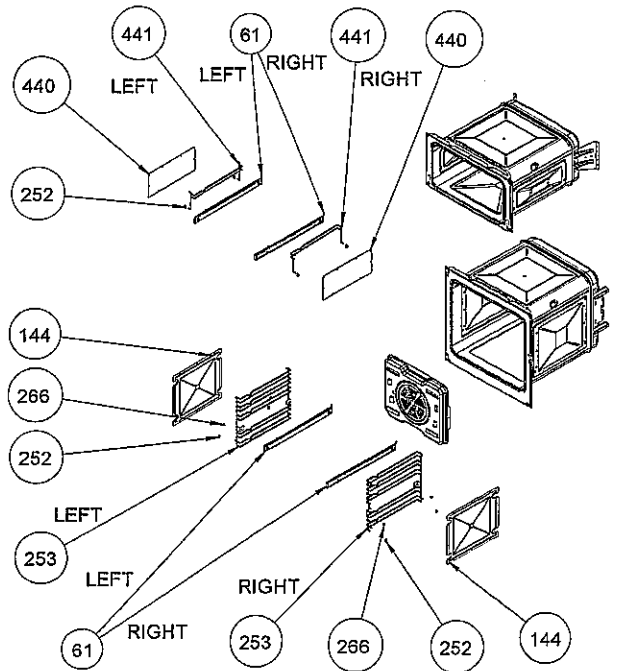
CAVITY ASSEMBLY WITH CATALYTIC SHELF
(OPTIONAL)



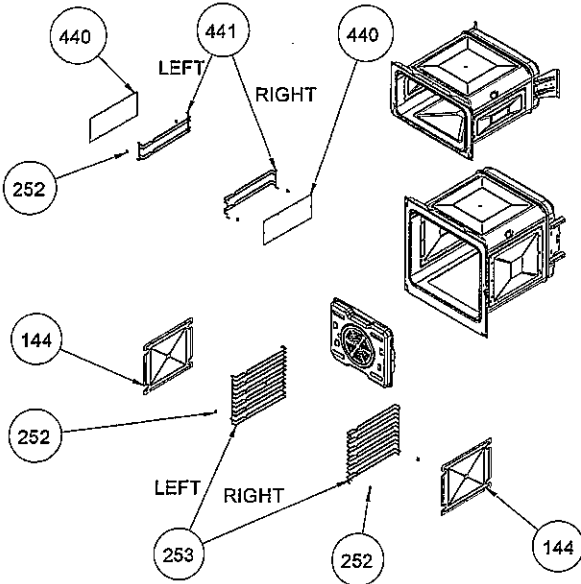
WIRE SHELF CAVITY ASSEMBLY WITH / WITHOUT CATALYTIC PANEL
OPTIONAL : DOUBLE TELESCOPIC RAILS (R / L)



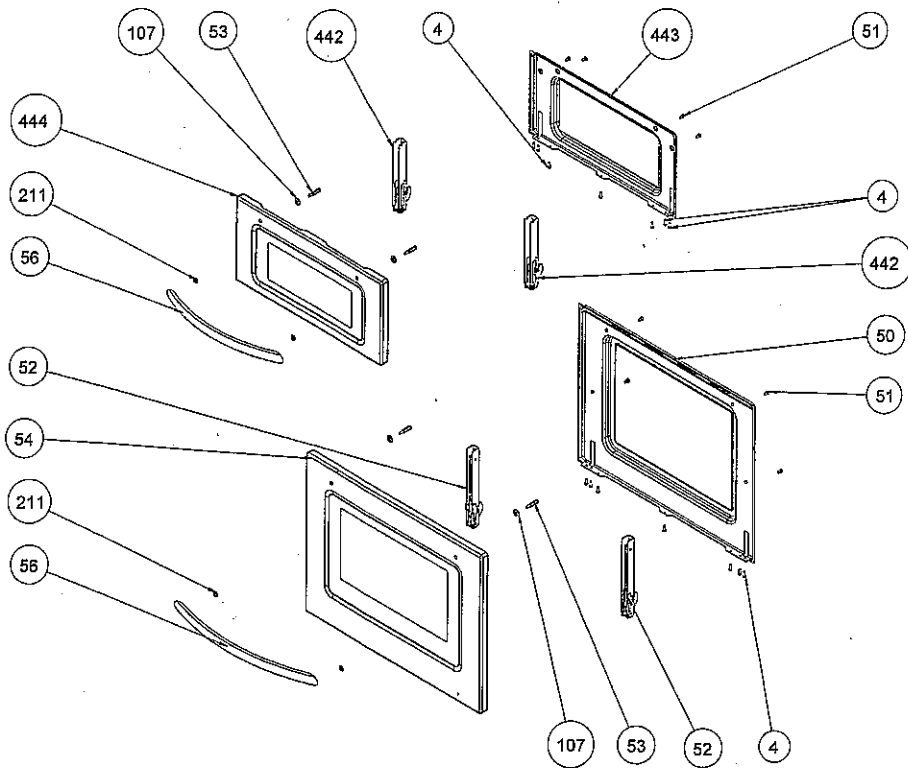
CAVITY ASSEMBLY WITH WIRE SHELF
(OPTIONAL)



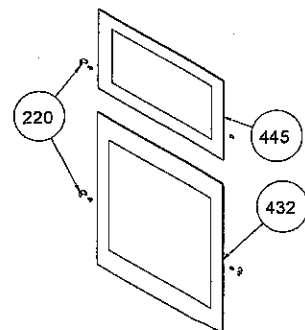
WIRE SHELF CAVITY ASSEMBLY WITH / WITHOUT CATALYTIC PANEL
OPTIONAL : TELESCOPIC RAIL (R / L)



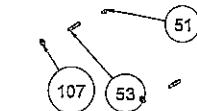
WIRE SHELF CAVITY ASSEMBLY WITH / WITHOUT CATALYTIC PANEL
(OPTIONAL)



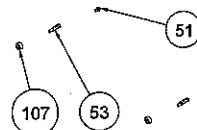
SOLID TYPE-DROP DOWN OPENING OVEN DOOR
(OPTIONAL)
(POSITION NO 375)



INTERVAL GLASS
(OPTIONAL)

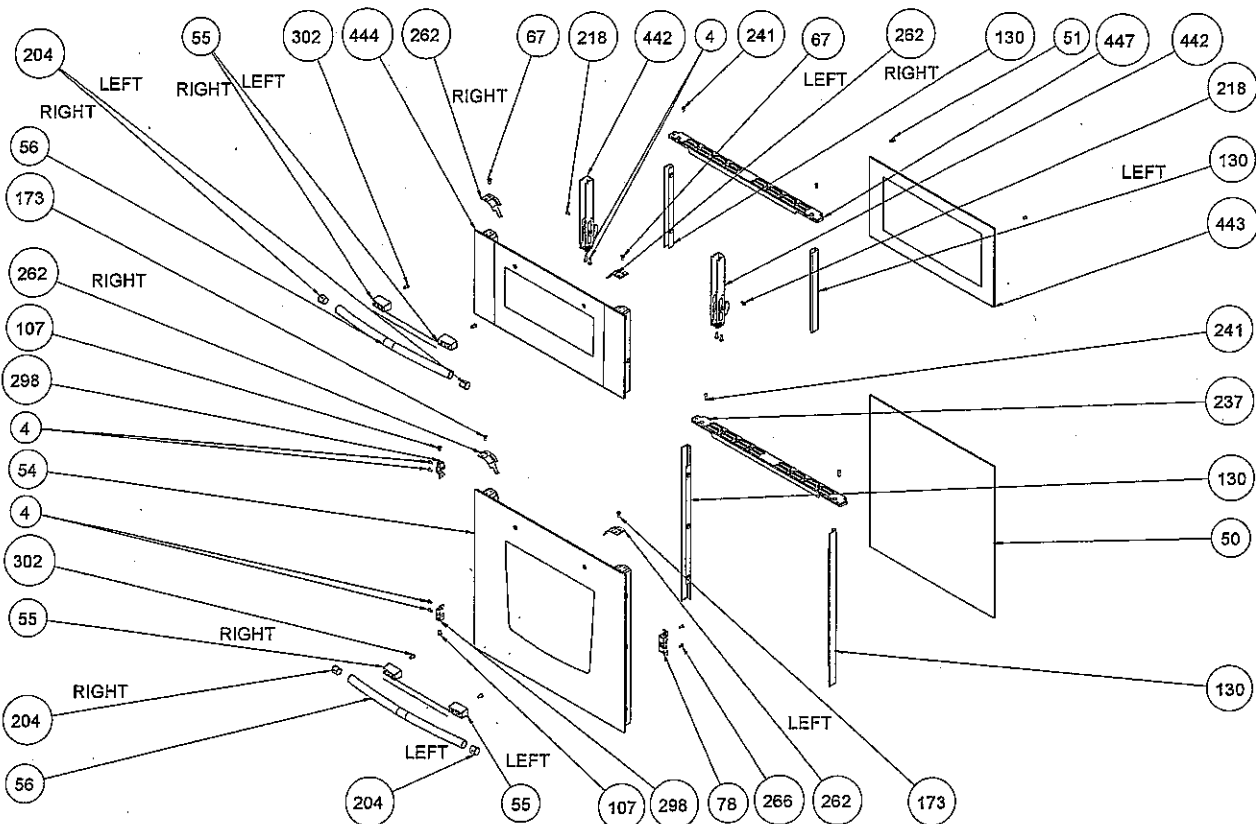


GRADUAL

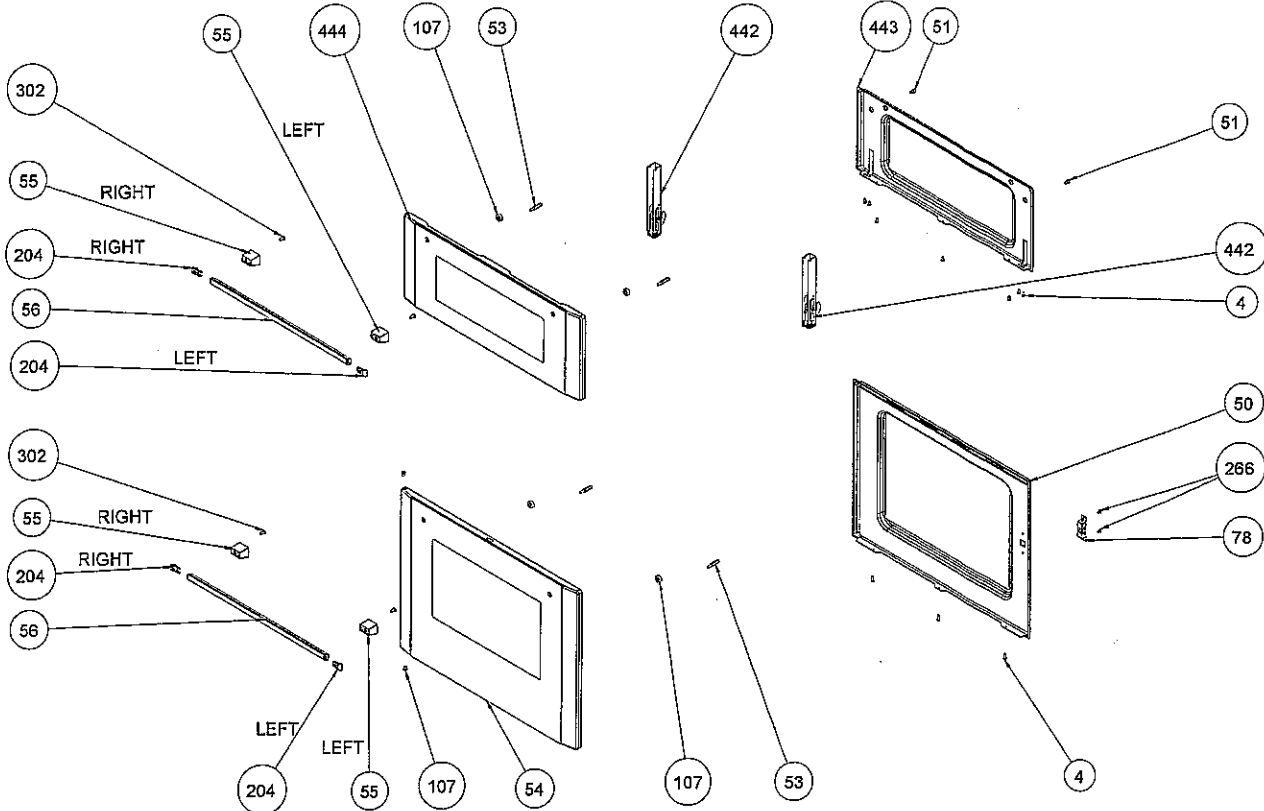


FLAT

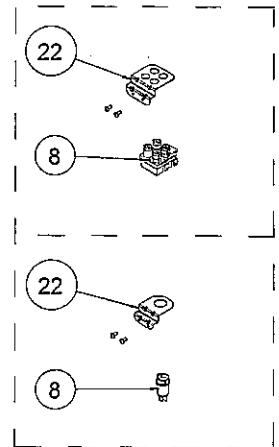
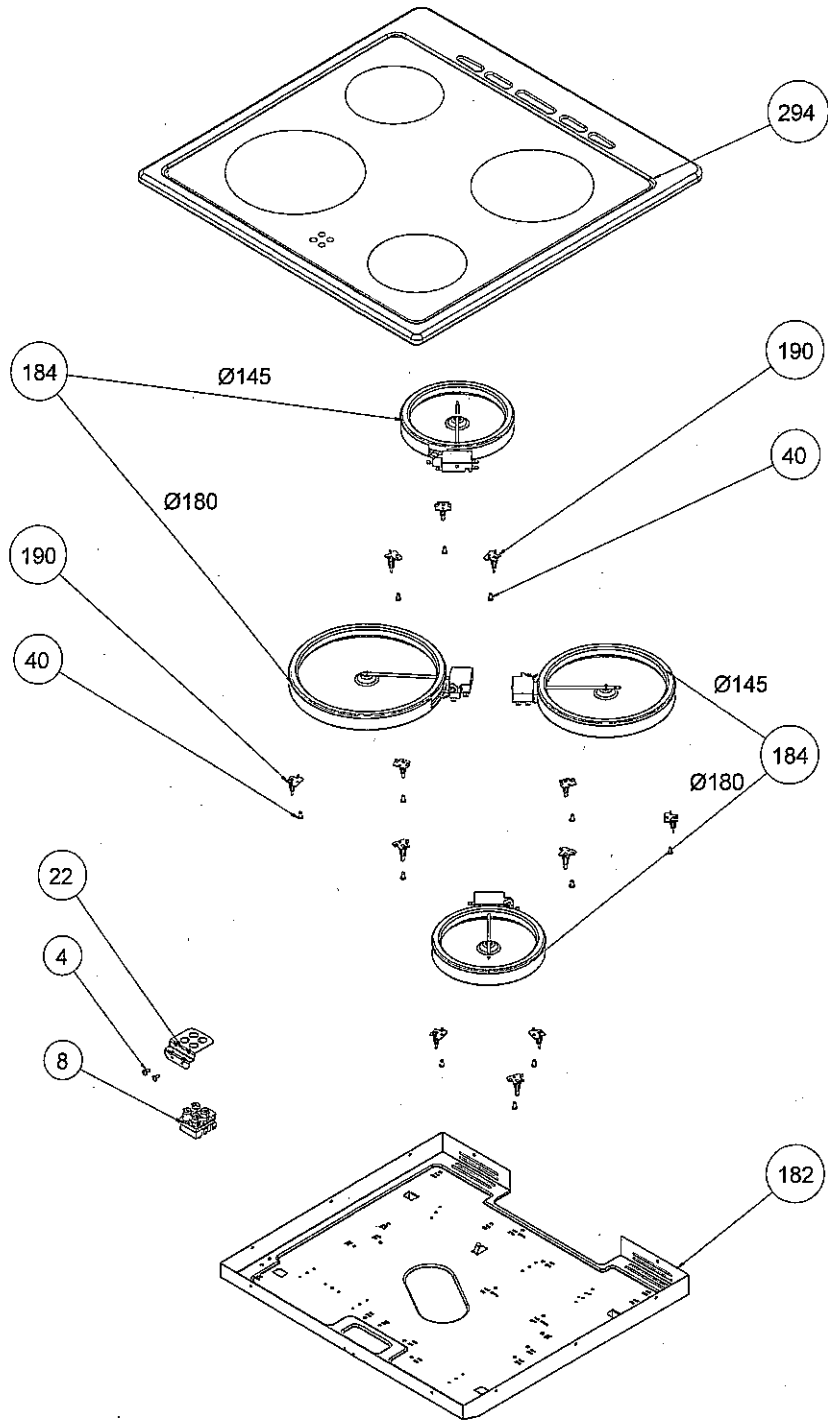
HANDLE ASSEMBLY GROUP
(OPTIONAL)
(POSITION NO 49)



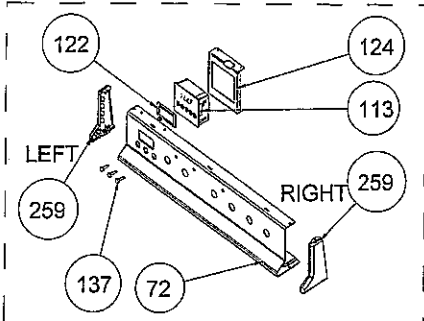
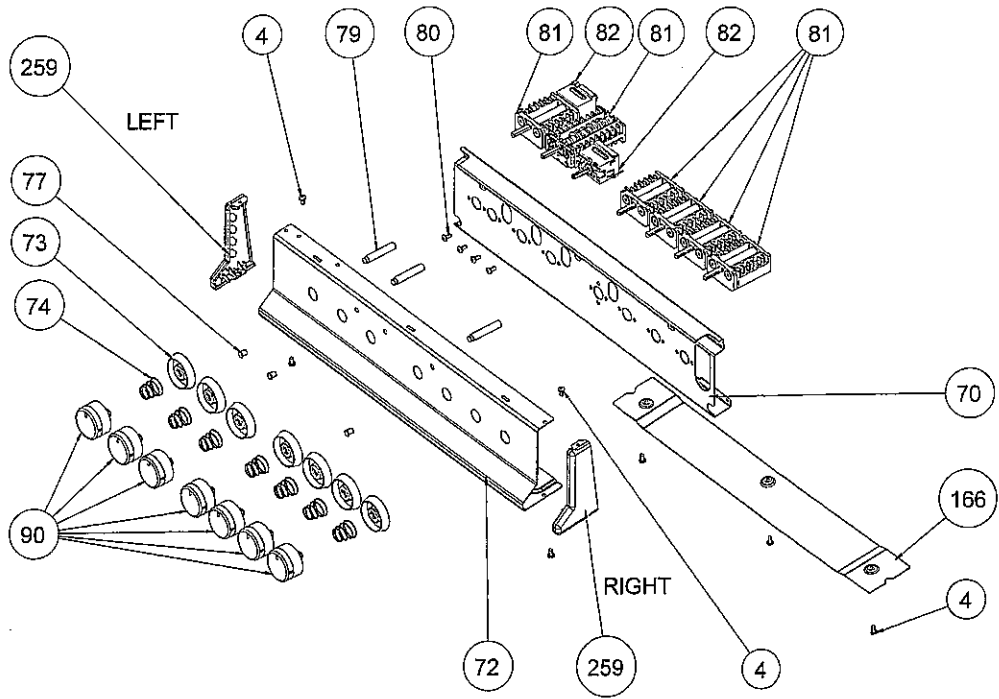
FLAT TYPE - SIDE OPENING OVEN DOOR
(OPTIONAL)
(POSITION NO 377)



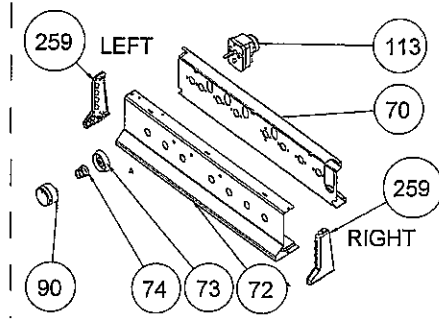
3D - SIDE OPENING OVEN DOOR (POSITION NO 374)



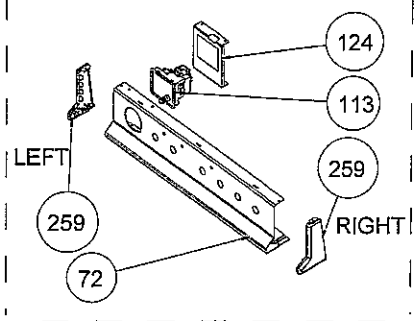
HOT SURFACE INDICATOR
LIGHT GROUP
(OPTIONAL)



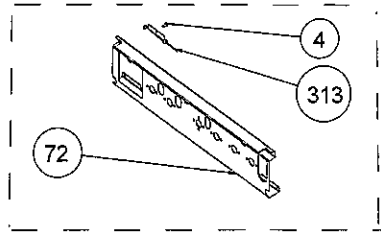
DIGITAL TIMER (OPTIONAL)



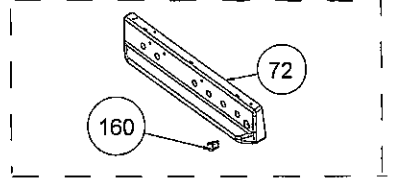
MECHANIC TIMER (OPTIONAL)



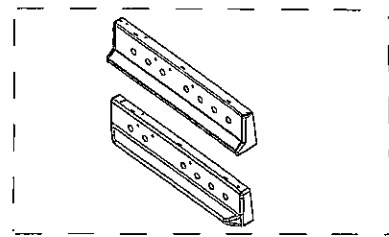
ANALOG TIMER (OPTIONAL)



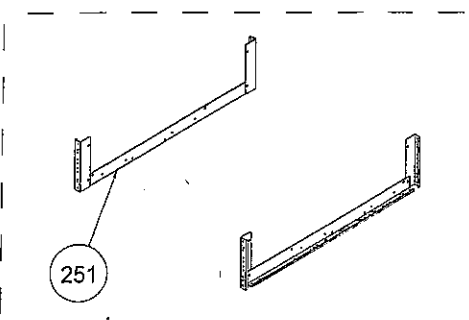
DIGITAL TIMER INSULATION COVER AND INNER PANEL



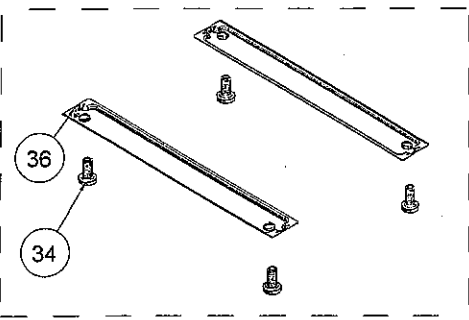
SPARK/LAMP BUTTON (OPTIONAL)



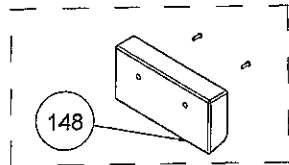
FRONT PANELS (OPTIONAL)



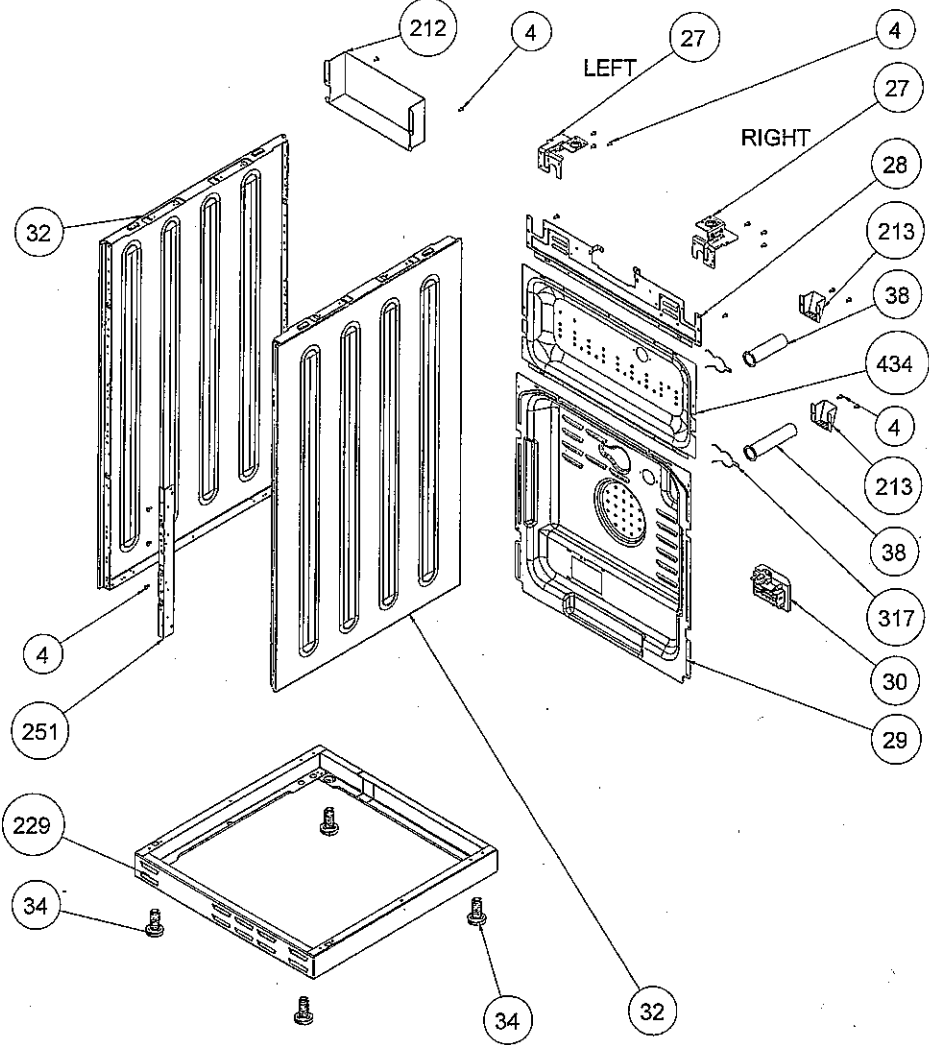
SIDE PANEL SUPPORT BRACKET
(ONLY FOR 85 CM)



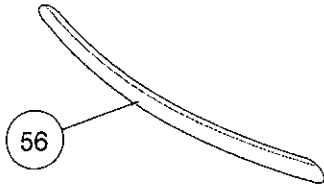
DB.OVEN PLINTH
(ONLY FOR 60x60 DB.OVEN
VITROCR/ELC/COMBINED)
(OPTIONAL)



DO CONCRETE WEIGHT
(ONLY FOR DB.OVEN
VITROCR/ELC - 60*60)



OVEN DOOR HANDLES (OPTIONAL)
HANDLES WITHOUT TAP & BRACKET



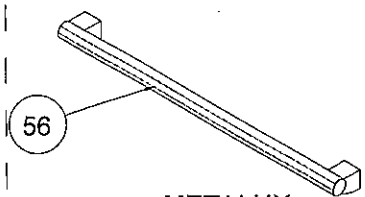
56

ELLIPSE ARC



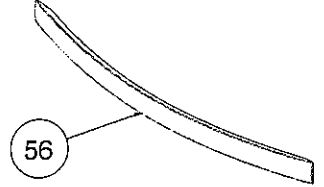
56

D PROFILE ARC



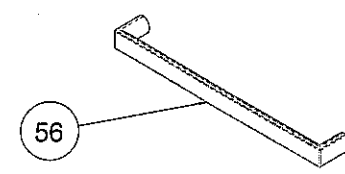
56

METALUX



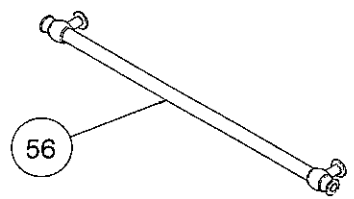
56

D PROFILE ARC, ELECTROLUX
(ONLY FOR FS - OPTIONAL)



56

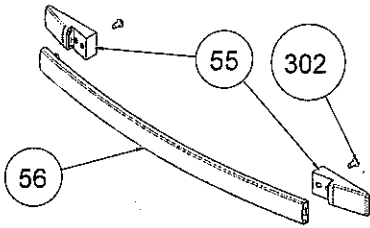
FNP (ONLY FOR BUILT-IN -
OPTIONAL)



56

RUSTIC

HANDLES WITH BRACKET

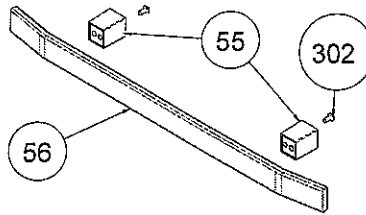


56

55

302

ARC QUADRANGLE



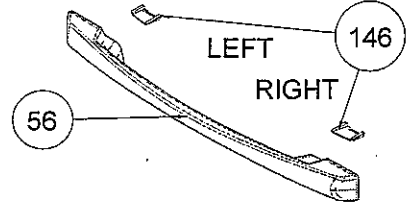
56

55

302

3D QUADRANGLE (ONLY FOR
FS/ NEW G/ BUILT-IN - OPTIONAL)

HANDLES WITH TUNNEL TAP



56

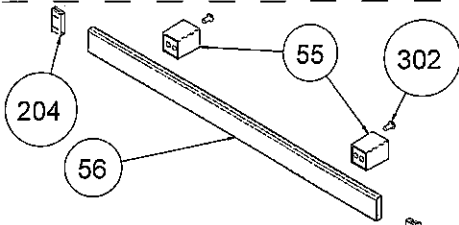
LEFT

RIGHT

146

NO FAN TYPE (ONLY FOR
BUILT-IN - OPTIONAL)

HANDLES WITH TAP & BRACKET



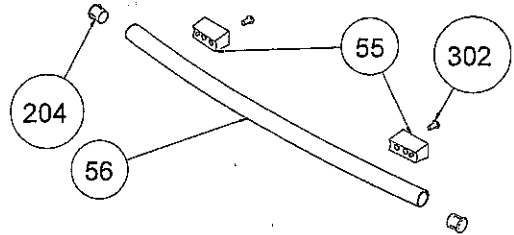
204

56

55

302

FLAT QUADRANGLE
(ONLY FOR FS/ NEW G/ BUILT-IN - OPTIONAL)



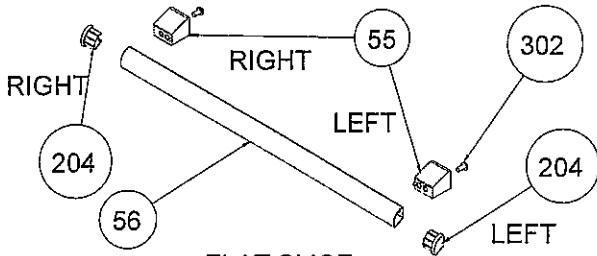
204

56

55

302

ARC TUBE



RIGHT

RIGHT

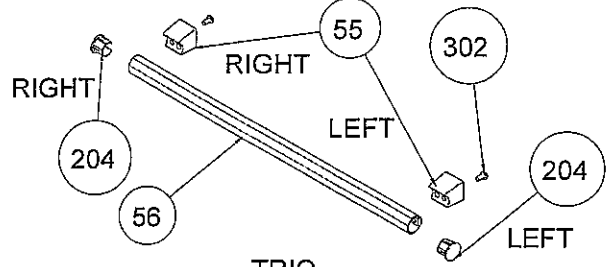
LEFT

LEFT

204

56

FLAT SLICE



RIGHT

RIGHT

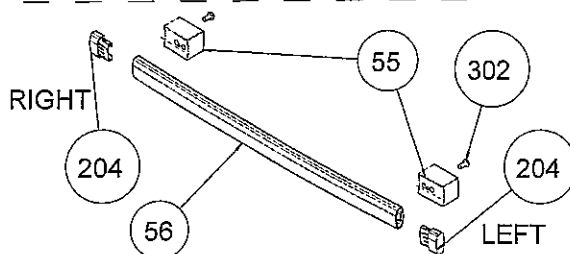
LEFT

LEFT

204

56

TRIO



RIGHT

204

56

55

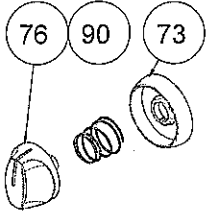
302

204

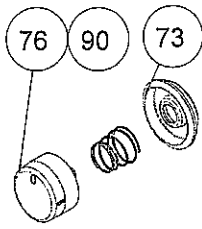
LEFT

CURVED QUADRANGLE

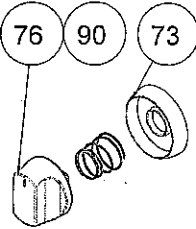
KNOB (ONLY FOR DOUBLE OVEN - OPTIONAL)



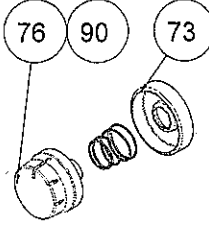
ELECTROLUX



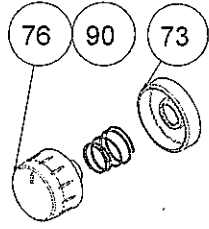
SIGMA KD



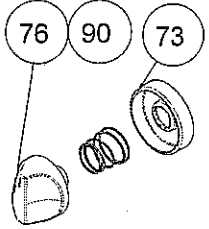
TRIO



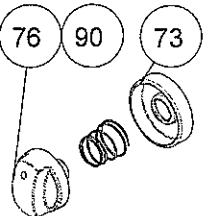
EPSILON



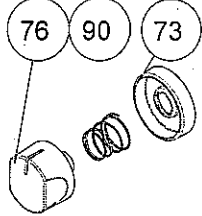
OMEGA



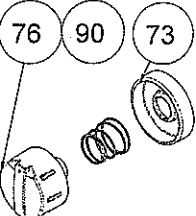
GAMA RING



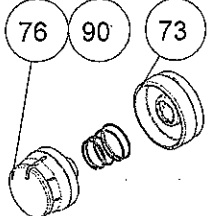
ECLIPSE RING



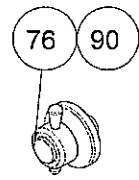
RIMO



ANTERO



SPECTRUM



RUSTIC RISUS